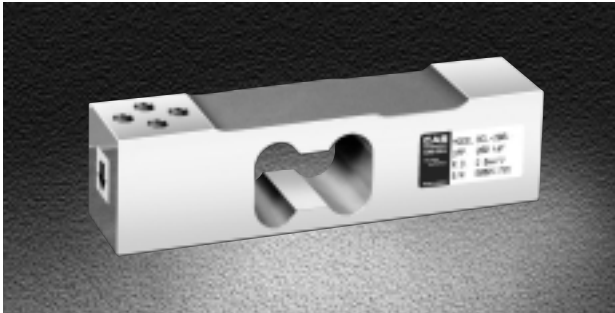


# BCL Single point load cell, 60kgf - 200kgf

Load Cell



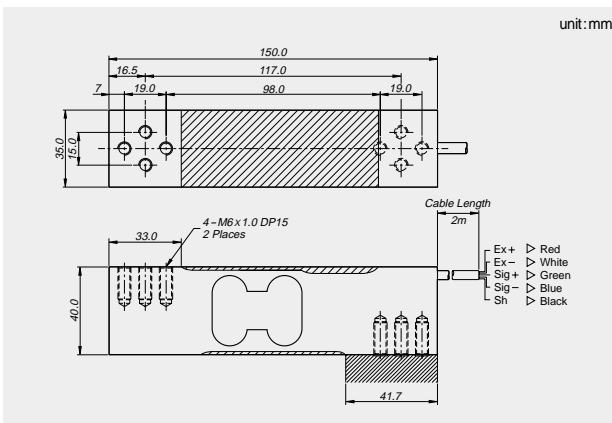
### FEATURES

- Low cost
- Low-profile
- Off center compensated
- Protection class IP65

### SPECIFICATIONS

Max. capacity	kgf	60, 100, 150, 200
Rated output	mV/V	2.0 ± 0.2
Zero balance	mV/V	0 ± 0.1
Combined error	%	0.03
Repeatability	%	0.01
Creep for 30min.	%	0.03
Temperature effect on		
Zero Value	%/10°C	0.028
Output value	%/10°C	0.014
Excitation		
Recommended	V	10
Maximum	V	15
Resistance		
Input	Ω	400 ± 20
Output	Ω	350 ± 3.5
Insulation	MΩ	> 2,000
Compensated temperature range	°C	-10 to +40
Operating temperature range	°C	-20 to +70

### DIMENSIONS



### Material

Anodized Aluminum

### Mounting

Socket-head cap screw M6 × 1.0(10.9)  
Tightening torque: 14Nm

### Cable

Braided Shield 4-wire round cable  
with PVC-Jacket

### Maximum Platform Size

400 × 400mm

### Ordering Information

BCL - XXXL

Capacity in kg